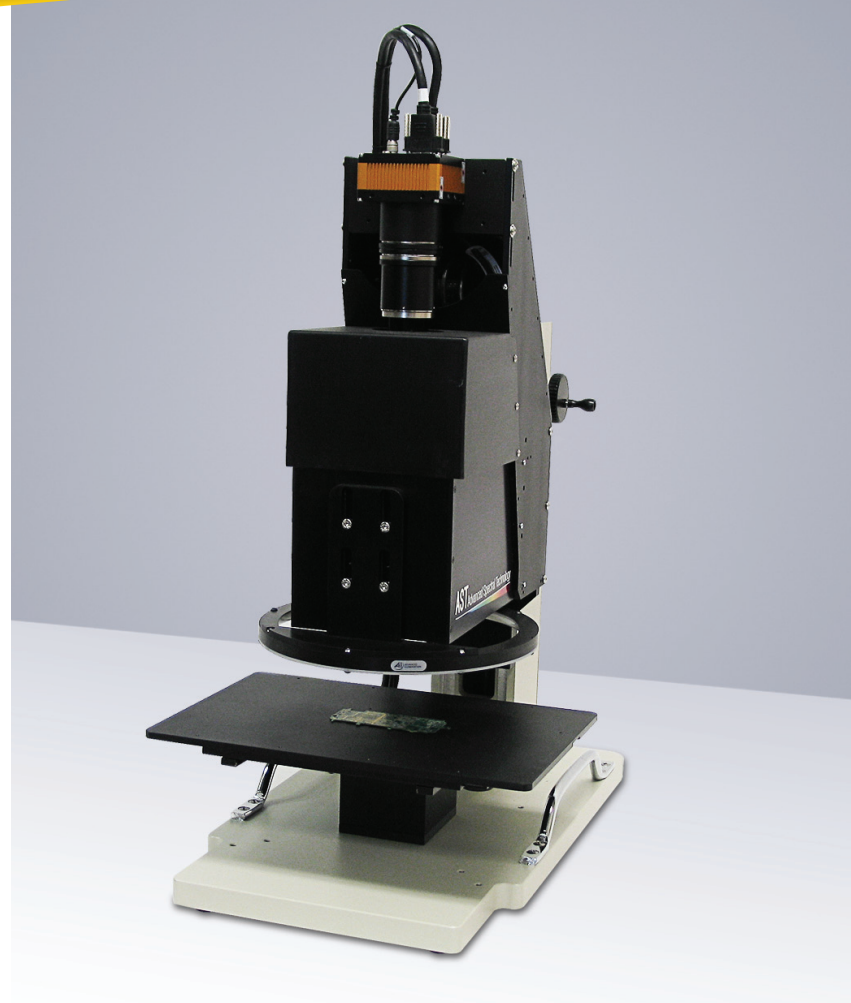
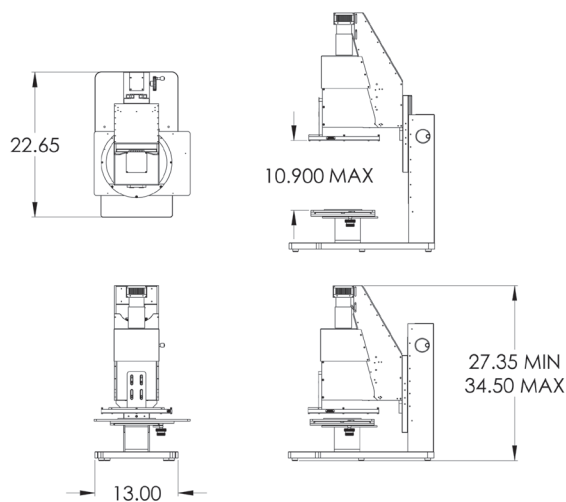


Fast, High-Resolution Imaging System

AST MACRO IMAGER

- 5056 x 5056 pixel resolution
- 30 frames per second at full resolution preview
- Diffuse brightfield LED illumination
- Adjustable darkfield LED illumination
- Software presets for repeatable results
- 200 x 200mm stage travel can accommodate large samples
- 85mm, 100mm, 125mm, 150mm high-quality macro lens options
- Optional 2-lens slider
- 200mm Z travel
- 4K Monitor



The AST Macro Imager is suitable for a wide variety of applications, including:

- Documentation/Archiving
- Inspection
- Forensics
- Quality Assurance

Contact AST today to discuss how the AST-Macro Imager can be adapted to your specific needs.